

brooks
andell



World Class Precision Engineering



High Quality Palm Oil Mill Chain

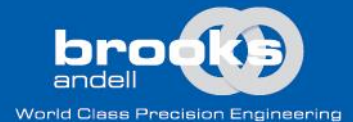
Established in the UK in 1973, the Brooks group of companies has an international reputation as a leading manufacturer and supplier of high quality engineered products.

Our approach has always been customer driven with the emphasis being put on, not only a quality product, but also a customer-focused service, both with pre-design advice and after sales technical support.

To complement their growing international presence, in 2005 Brooks Andell Ltd. branched out and set up a manufacturing and technical centre in Asia. Our facilities both in Manchester and Kuala Lumpur, Malaysia are managed by UK engineers who have spent many years producing high specification conveyor chains and sprockets for a wide range of industries.

Our location enables us to provide immediate technical and product support, while giving us the flexibility in manufacturing products that satisfy the needs of our customers.

Supported by their exclusively appointed agents throughout Malaysia, Indonesia and Thailand, Brooks Andell provides short delivery times with chain and sprockets being stocked in strategic locations.



Our many years of experience enable us to **DESIGN** and manufacture a quality and reliable product.



Our product line **INSPECTION** routines monitor quality through every stage of production, giving a **CONSISTENTLY HIGH SPECIFICATION** product.



Our advice and **SUPPORT** gives you peace of mind, knowing that we are backing you up on your journey to success.

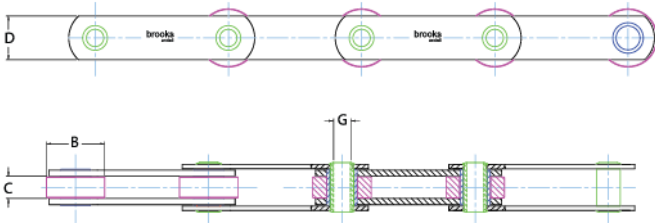


Our policy is to give the **BEST AFTER SALES SERVICE** by providing full on site **TRAINING** for all engineering staff, helping you to **MAXIMISE PRODUCT LIFE**.

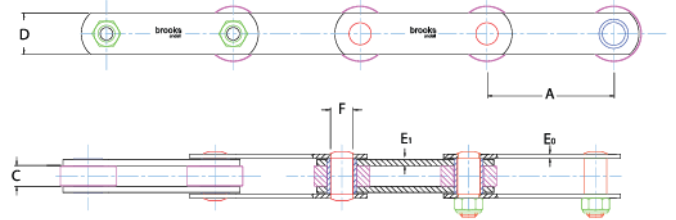


Technical Specifications

HOLLOW BEARING PINS



SOLID BEARING PINS



SOLID BEARING PIN

Chain ref. No	Pitch		Breaking Load lbf	Roller Dia.		Inside Width mm	Plate Depth mm	Plate Thickness		Pin/Bore Dia		Mass Kg/m
	inch	mm		inch	mm			Inner mm	Outer mm	F	G	
	A			B		C	D	E1	E0	F	G	
101508	4.0	101.6	22,000	1.875	47.6	19.0	38.1	5.1	3.8	19.05	-	6.40
103008	4.0	101.6	40,000	2.625	66.7	25.4	50.0	7.1	5.1	26.97	-	14.62
103012	6.0	152.4	40,000	2.625	66.7	25.4	50.0	7.1	5.1	26.97	-	11.42
104512	6.0	152.4	70,000	3.500	88.9	38.1	61.0	9.5	7.9	31.75	-	35.46

HOLLOW BEARING PIN

101208	4.0	101.6	18,000	1.875	47.6	19.0	38.1	5.1	3.8	-	13.20	5.91
102412	6.0	152.4	36,000	2.625	66.7	25.4	50.8	7.1	5.1	-	19.43	10.44
103612	6.0	152.4	50,000	3.500	88.9	38.1	61.0	9.5	7.9	-	23.1	23.49

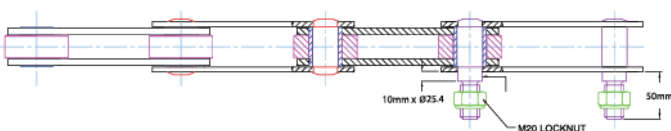
ENHANCED BREAKING LOAD CHAIN

105512HT6.0	152.4	65,000	2.625	66.7	25.4	50.0	7.1	5.1	26.97	-	11.42
105012HT6.0	152.4	55,000	2.625	66.7	25.4	50.0	7.1	5.1	-	19.43	10.44

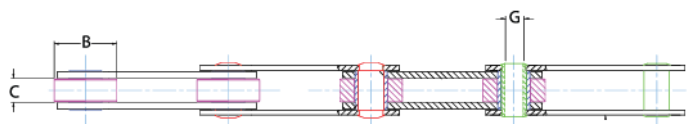
HEAVY DUTY FFB CHAINS

106012HD6.0	152.4	60,000	2.625	66.7	25.4	50.0	10	10	26.97	-	13.62
106912HD6.0	152.4	80,000	2.625	66.7	25.4	50.0	10	10	26.97	-	13.62

SOLID BEARING PIN CHAINS C/W EXTENDED PINS ON EVERY 4th, 6th or 8th PITCHES



SOLID BEARING PIN CHAINS C/W HOLLOW PINS ON EVERY 4th, 6th or 8th PITCHES



All Chains are manufactured to BS 4116, Part 4

BROOKS ANDELL - CONVEYOR CHAINS

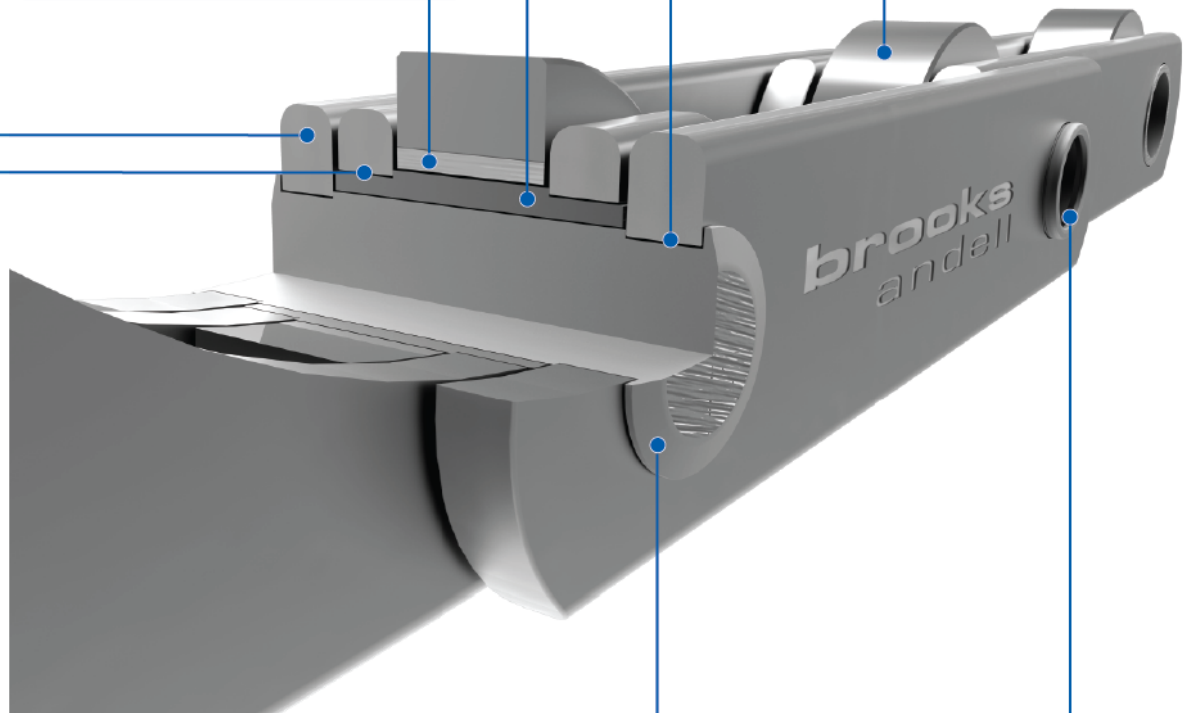
Link plates produced from high carbon cold drawn steel
The use of cold drawn steel avoids the internal stresses associated with guillotined steel strips.
The longitudinal grain flow presented in cold drawn steel helps prevent fatigue and withstand shock loads.

Case hardened alloy steel bushes precision machined from seamless tube
Ensuring minimum distortion and superior concentricity.

Bearing Pins with location shoulders and interference fit
Precise positioning of outer plates adds to strength whilst ensuring accuracy of attachment positioning.
Location shoulders help maintain flexibility of chain.

Optional Stainless Steel or Nitride treated liner bushes
Provides extended life in severe conditions.

Ground Hardened Rollers
Grinding the outer diameter gives excellent wear resistance and good load carrying qualities, helping to reduce wear on sprocket tooth.



Bushes with location shoulders and interference fit
For precise assembly, control on inner width and prevention of bush rotation. Bush shoulder length extended to form clearance between inner and outer plates to provide uniform lubrication, increased strength and life. This reduces the possibility of chain seizure.

Spin Riveted Induction Hardened Alloy Steel Pins
For optimum life and the strongest rivet in any standard chain.
Holes precision punched on dedicated progression tooling
Guarantees consistently high tolerance pitch control.

Alloy Steel Seamless Tube used for all Hollow Pins
For wear and shock resistance.
True spin riveting for a stronger rivet.

BROOKS WORLDWIDE

www.brooks.ltd.uk



ENGLAND

BROOKS LTD

Causeway Park, Manchester Road
Audenshaw, Manchester M34 5UU
England.

Tel : +44 (0) 161 666 5000

Fax : +44 (0) 161 666 5050

Email : sales@brooks.ltd.uk



MALAYSIA

BROOKS ANDELL SDN. BHD.

No 30-32, Jalan PJU 3/49, Sunway Damansara,
47810 Petaling Jaya, Selangor D.E.
Malaysia.

Tel : +6 03 7804 0407

Fax : +6 03 7804 4407

Email : sales@brooksandell.com.my



USA

BROOKS USA Inc.

2993, South Oak Way
Lakewood
Co 80227, USA

Tel : +1 303 484 1986

Fax : +1 303 484 1989

Email : brooksusa@comcast.net

Approved Distributor:

