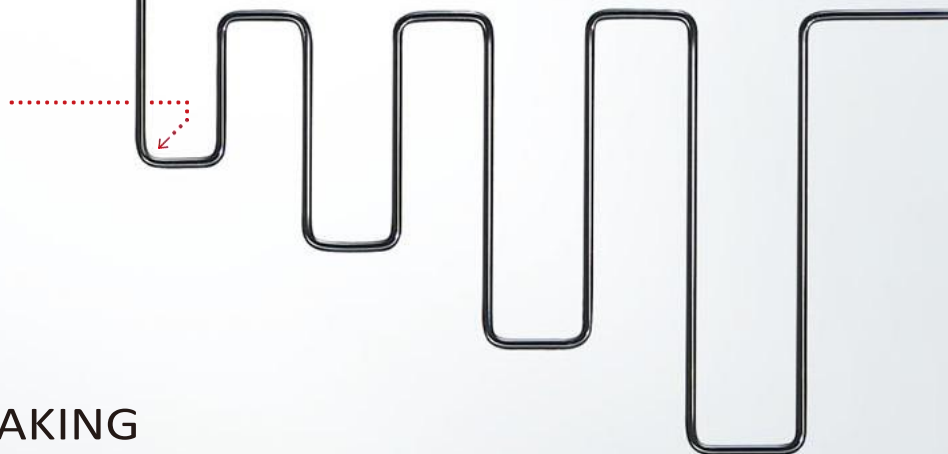


HIGHLY FLEXIBLE
withstands bending up to
10 million times

MINIMUM BEND RADIUS
R2mm R0.08"



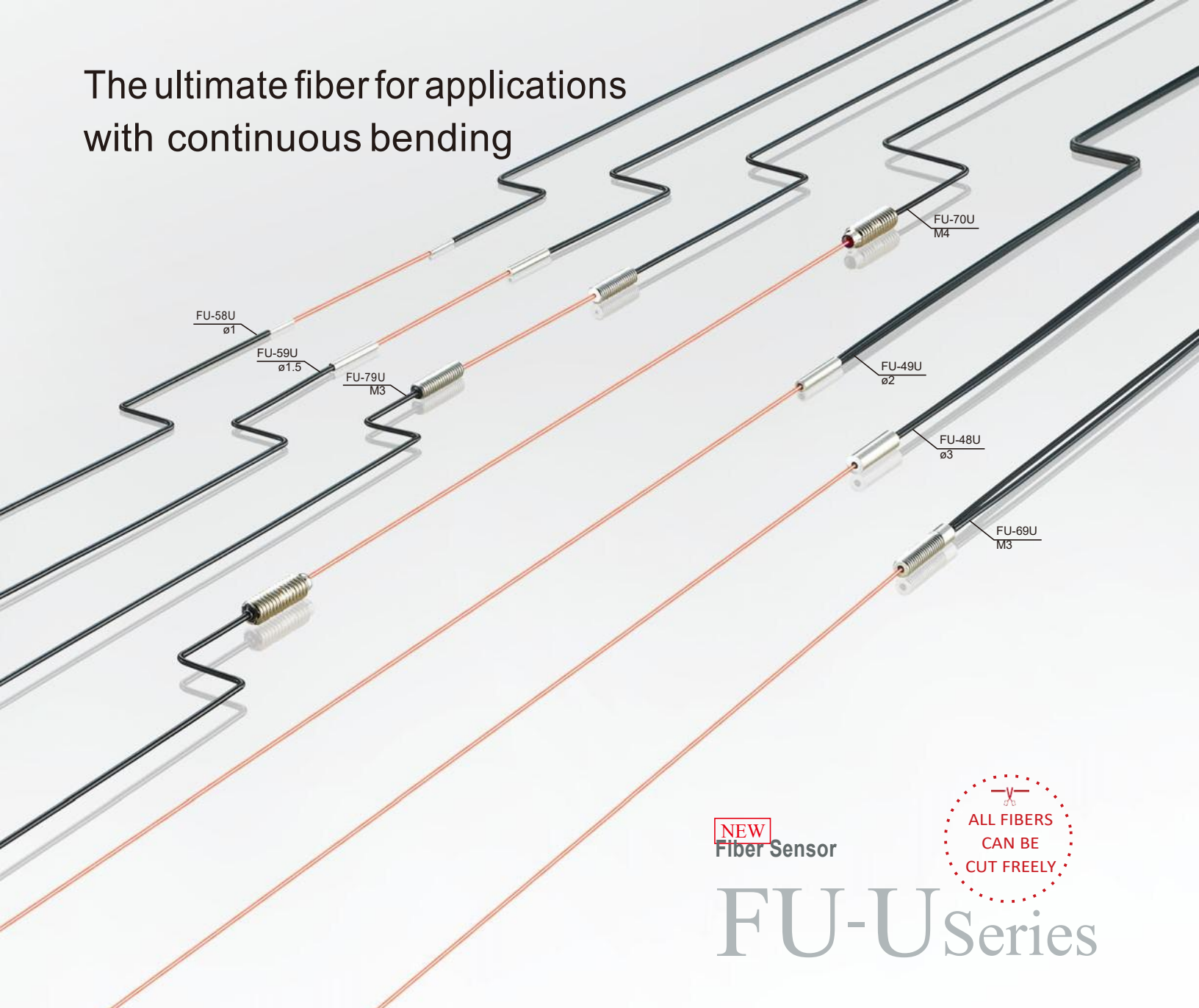
BENDS WITHOUT BREAKING

NEW FIBER MATERIALS

Latest
Digital Fiber Amplifier
FS-V30 Series



The ultimate fiber for applications with continuous bending



NEW
Fiber Sensor



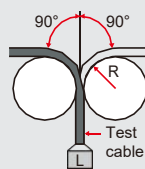
FU-U Series

HIGHLY-FLEXIBLE

Withstands bending up to 10 million times (Typical)

- | Reduce labor costs for maintenance
- | Reduce material costs

Bending conditions



Angle:	90°
Bend radius:	R1.18" R30 mm
Load:	20 g
Bending rate:	30 cycles/minute (1 cycle includes left to right to original position)
Test cable:	FU-U Series Fiber

UNBREAKABLE

R0.08" R2 mm

- | Space-saving installation
- | Adapts to the contours of your machine

The **R0.08" R2 mm** bend radius makes it possible to install in extremely tight spaces around any obstacle without breaking.

Conventional flexible fiber



The bend radius was **R0.16" R4 mm** with four core fibers.

New flexible fiber



Unbreakable **R0.08" R2 mm** was achieved by using a multicore fiber.

Extensive lineup

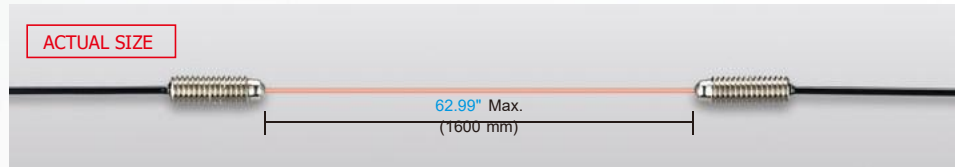
FU-70U

Built-in lens won't scratch or come loose

Some conventional high-flex fibers offer lens attachments, but due to continuous movement and vibration these lenses can come loose over time. The FU-70U features a super-tough built-in spherical lens that will not pop out, scratch, or come loose.



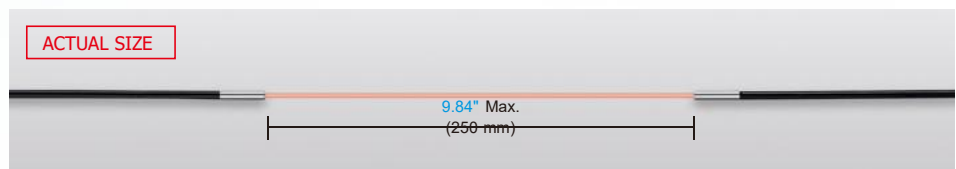
The built-in lens doesn't come off.



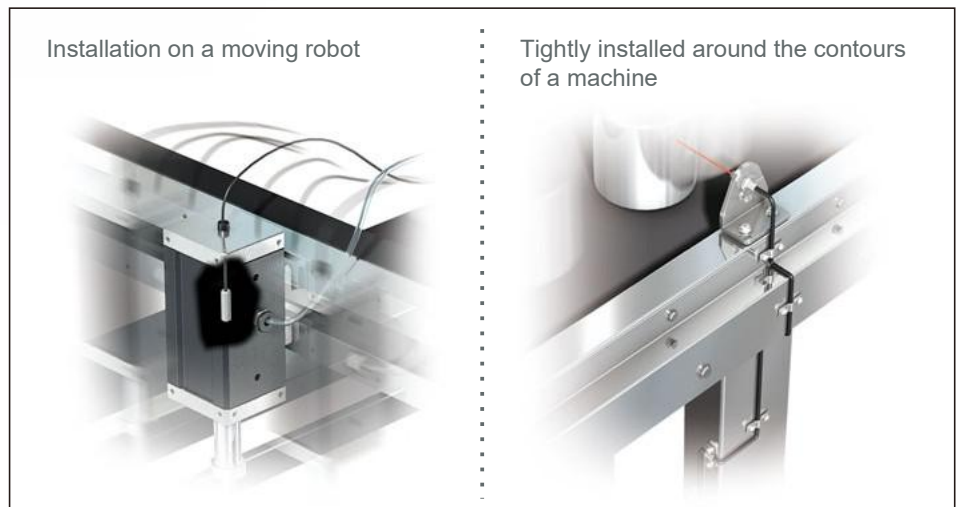
FU-58U

Ultra-small $\phi 0.04"$ 1mm head fits anywhere

The incredibly tough R0.08" R2mm bend radius, 10 million cycle, $\phi 0.04"$ $\phi 1$ mm cable combined with its $\phi 0.04"$ $\phi 1$ mm head means the FU-58U can be mounted almost anywhere.



Application examples



Amplifier

Type		Standard		2 outputs		Analogue
		Main unit	Expansion unit	Main unit	Expansion unit	Main unit
Model	NPN output	FS-V31	FS-V32	FS-V33	FS-V34	FS-V31M ^{*1}
	PNP output	FS-V31P	FS-V32P	FS-V33P	FS-V34P	-
Control outputs		1		2		1
External input		0		1		0
Analog output		0				1



*1 Output range: 1 to 5 V for the display value 0 to 4095 at HIGH SPEED/FINE/TURBO mode.

Specifications

Unit: inch mm

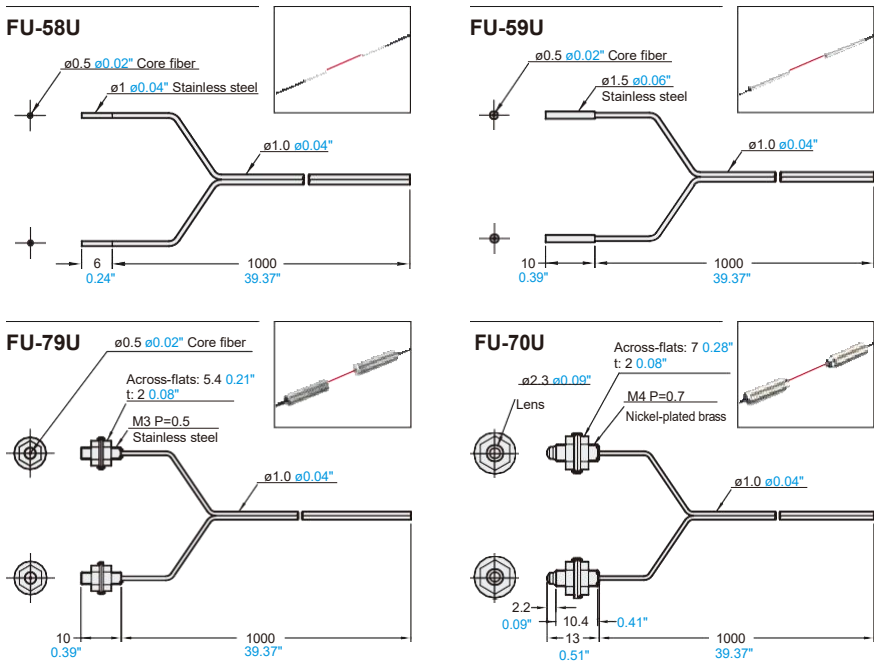
Model	FU-58U	FU-59U	FU-79U	FU-70U	FU-48U	FU-49U	FU-69U
Type	Thrubeam				Reflective		
Optical axis diameter	ø0.02" ø0.5 mm			ø0.9" ø2.3 mm		NA	
Detecting distance (inch mm) *1	MEGA	9.84" 250		62.99" 1600		3.23" 82	
	ULTRA	6.69" 170		62.99" 1600		2.48" 63	
	SUPER	4.33" 110		36.61" 930		1.89" 48	
	TURBO	3.15" 80		26.38" 670		1.26" 32	
	FINE	2.32" 59		18.5" 470		0.91" 23	
	HSP	0.94" 24		7.87" 200		0.35" 9	
Smallest detectable object *2	ø0.0002" ø0.005 mm opaque body			ø0.001" ø0.1 mm opaque body		ø0.0002" ø0.005 mm gold wire	
Tightening torque (Nm)	0.05	0.15	0.6	0.8	0.15	0.15	0.6
Ambient temperature	-40 to 122 °F -40 to +50 °C (No freezing)						
Relative humidity	35% to 85% (No condensation)						
Bend radius	R0.08" R2 mm						
Fiber length	3.28' 1 m (free cut)						
Material	Core fiber: Acrylic Fiber coating: Nylon Housing: Stainless steel 303			Core fiber: Acrylic Fiber coating: Nylon Housing: Nickel-plated brass Lens: Glass (BK7)		Core fiber: Acrylic Fiber coating: Nylon Housing: Stainless steel 303	
Weight	Approx. 4 g			Approx. 5 g		Approx. 4 g	
Included accessories	Fiber cutter FU adapter		Fiber cutter, FU adapter, Mounting nuts		Fiber cutter, FU adapter		Fiber cutter, FU adapter, Mounting nuts

*1 When using the FS-V30 Series.

*2 The smallest detectable object was determined at the optimal detecting distance and sensitivity setting.

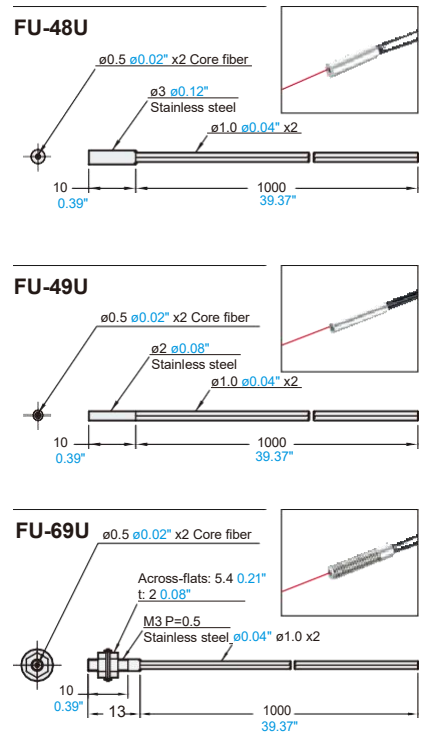
Dimensions

Thrubeam type



Reflective type

Unit: mm inch



CALL TOLL FREE TO CONTACT YOUR LOCAL OFFICE
1-888-KEYENCE
1 - 8 8 8 - 5 3 9 - 3 6 2 3

www.keyence.com

SAFETY INFORMATION
Please read the instruction manual carefully in order to safely operate any KEYENCE product.

CONTACT YOUR NEAREST OFFICE FOR RELEASE STATUS

KEYENCE CORPORATION OF AMERICA

Head Office 500 Park Boulevard, Suite 200, Itasca, IL 60143, U.S.A. PHONE: +1-201-930-0100 FAX: +1-855-539-0123 E-mail: keyence@keyence.com

AL Birmingham	CA San Jose	CO Denver	IL Chicago	MI Detroit	MO St. Louis	NC Raleigh	PA Philadelphia	TN Nashville	WI Milwaukee
AR Little Rock	CA Cupertino	FL Tampa	IN Indianapolis	MI Grand Rapids	NJ Elmwood Park	OH Cincinnati	PA Pittsburgh	TX Austin	
AZ Phoenix	CA Los Angeles	GA Atlanta	KY Louisville	MN Minneapolis	NY Rochester	OH Cleveland	SC Greenville	TX Dallas	
CA San Francisco	CA Irvine	IA Iowa	MA Boston	MO Kansas City	NC Charlotte	OR Portland	TN Knoxville	WA Seattle	

Head Office PHONE: +1-905-366-7655 FAX: +1-905-366-1122 E-mail: keyencecanada@keyence.com
Montreal PHONE: +1-514-694-4740 FAX: +1-514-694-3206 Windsor PHONE: +1-905-366-7655 FAX: +1-905-366-1122

PHONE: +52-55-8850-0100 FAX: +52-81-8220-9097
E-mail: keyencemexico@keyence.com

The information in this publication is based on KEYENCE's internal research/evaluation at the time of release and is subject to change without notice. Company and product names mentioned in this catalog are either trademarks or registered trademarks of their respective companies. The specifications are expressed in metric units. The English units have been converted from the original metric units.
Copyright (c) 2009 KEYENCE CORPORATION. All rights reserved.